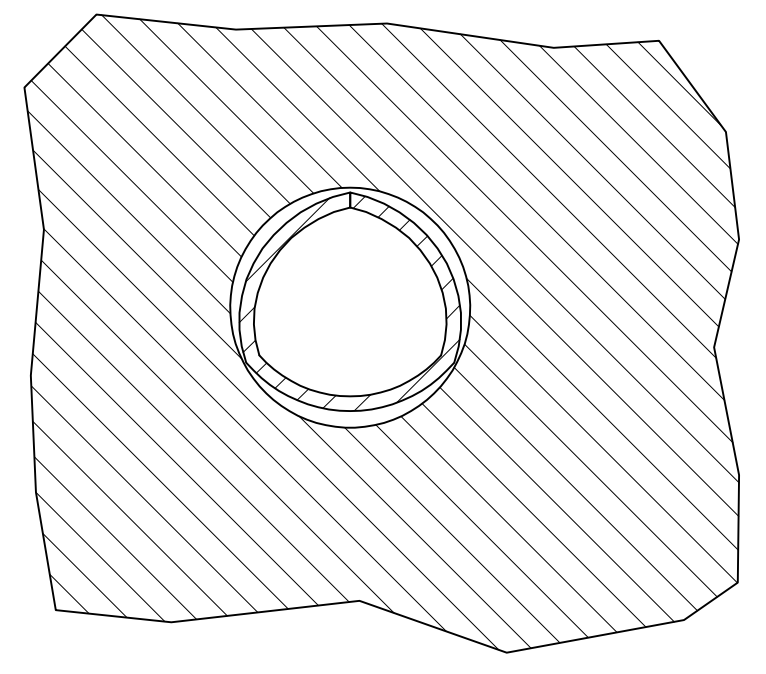
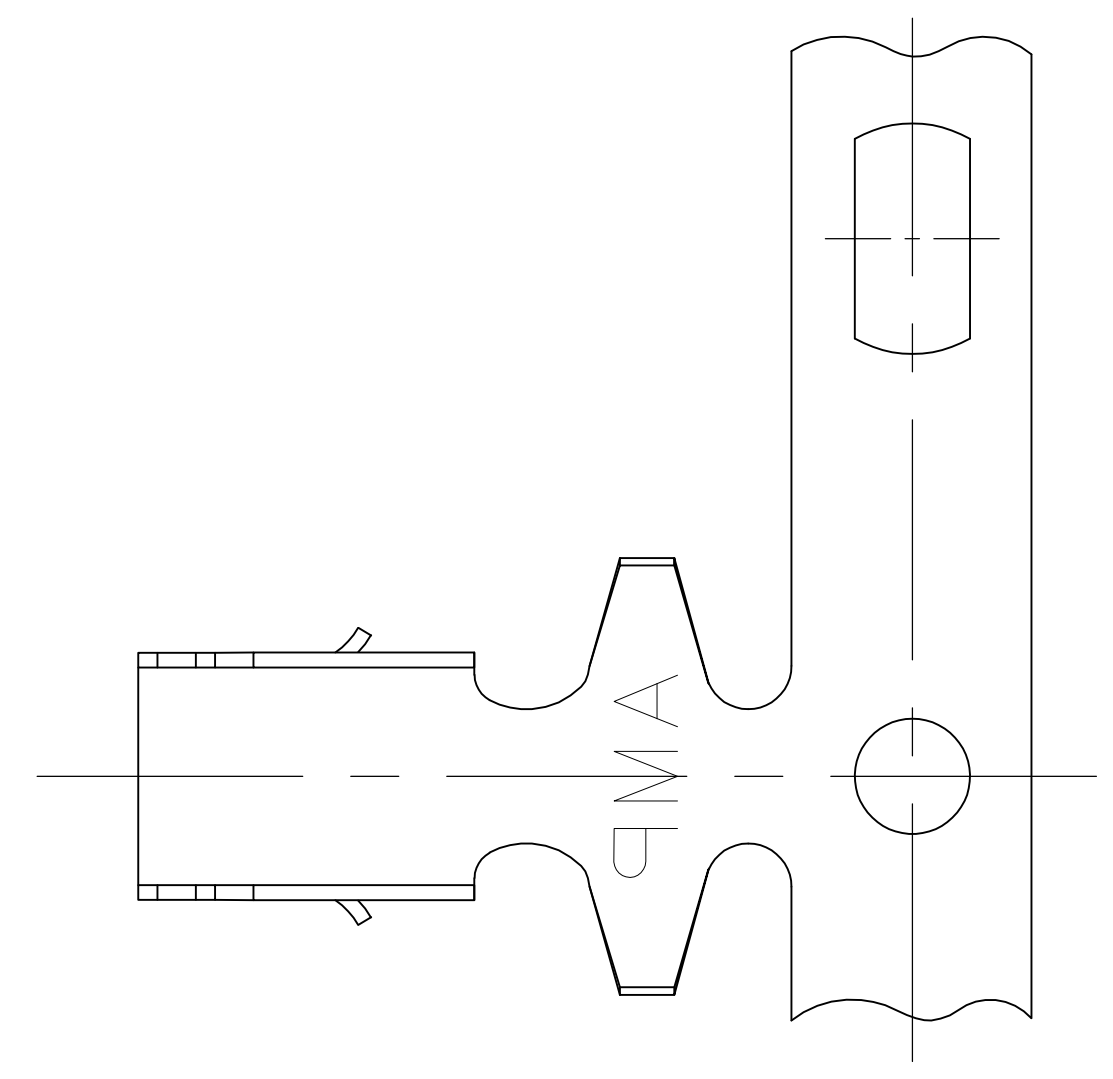
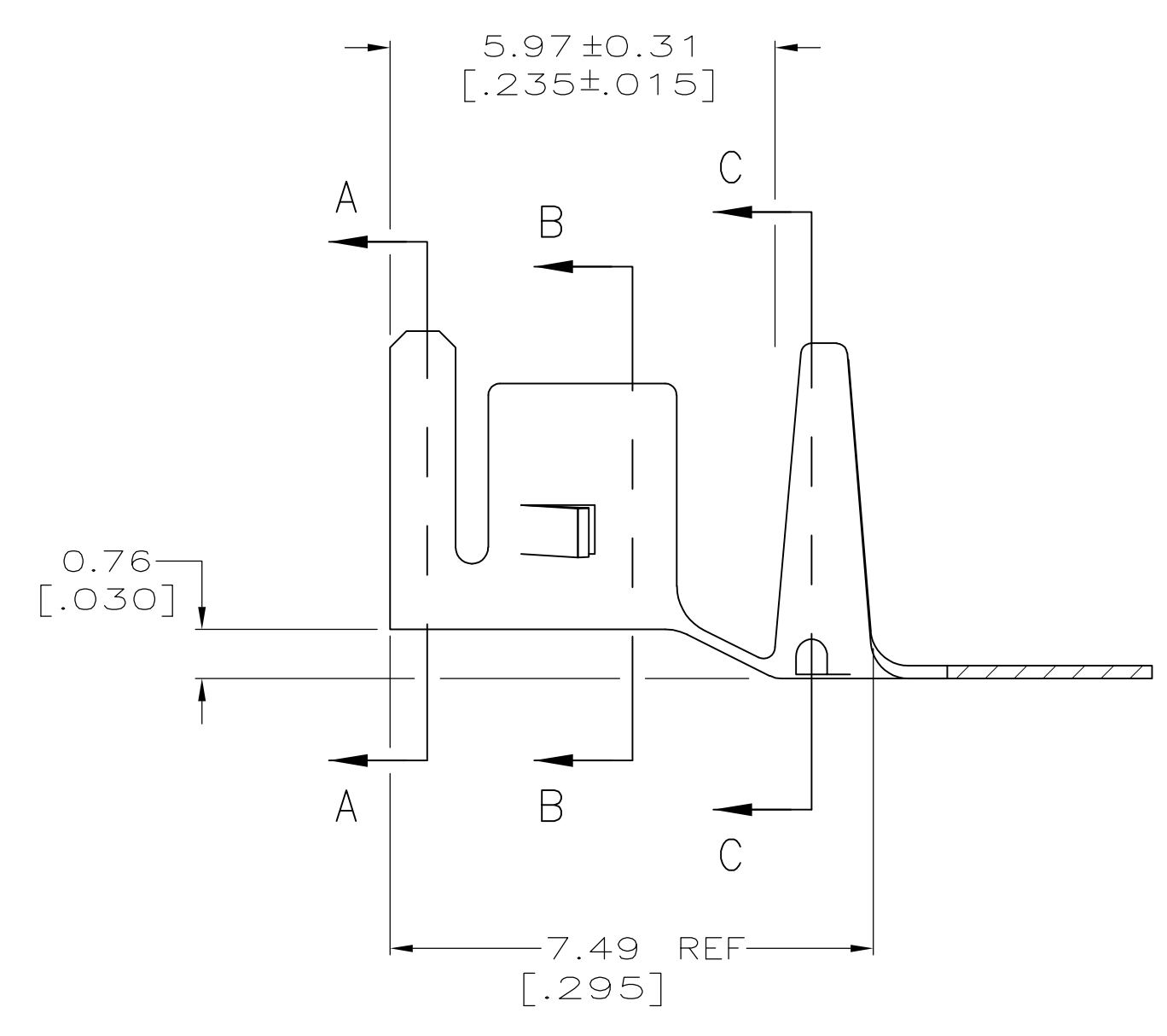


LOC		DIST		REVISIONS			
CM	00	REV	DATE	BY	CHKD	APPD	
C3		REVISED PER	ECO-12-014997	23AUG12	KH	SM	

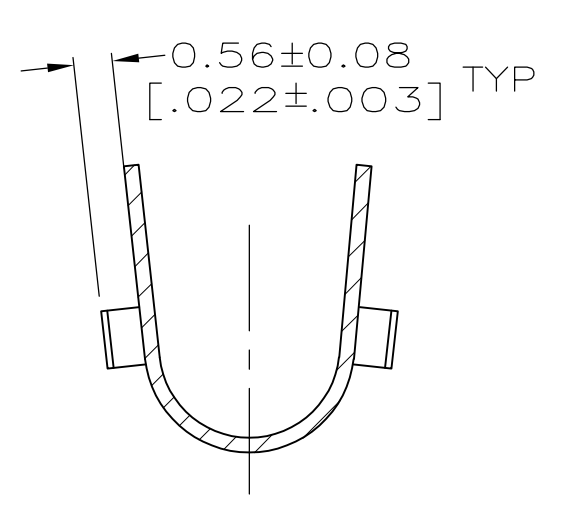
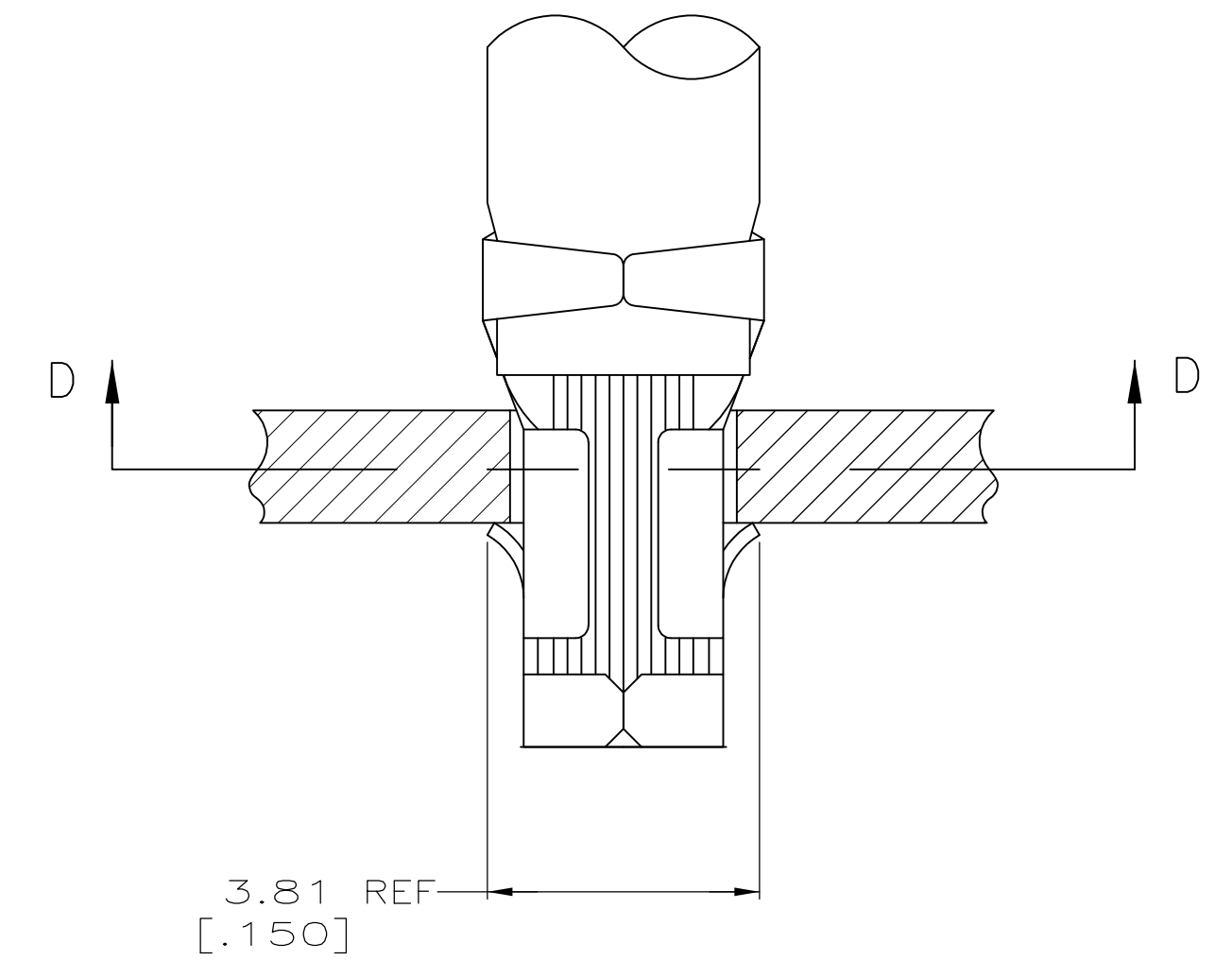
- 1 PARTS COMPLY WITH AMP SOLDERABILITY SPEC 109-11-3.
- 2 WIRE RANGE: 3-5.5 mm² [12-10 AWG].
- 3 INSULATION DIAMETER: 5.08 [.200] MAX.
- 4 DIMENSIONS IN BRACKETS ARE IN INCHES.
- 5 0.00508 [.000200] MIN BRIGHT TIN-LEAD.
- 6 0.00508 [.000200] MIN HALT TIN.



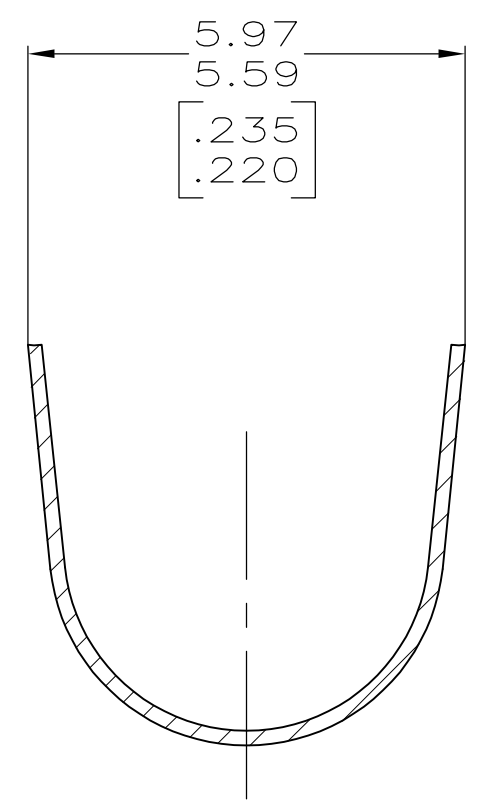
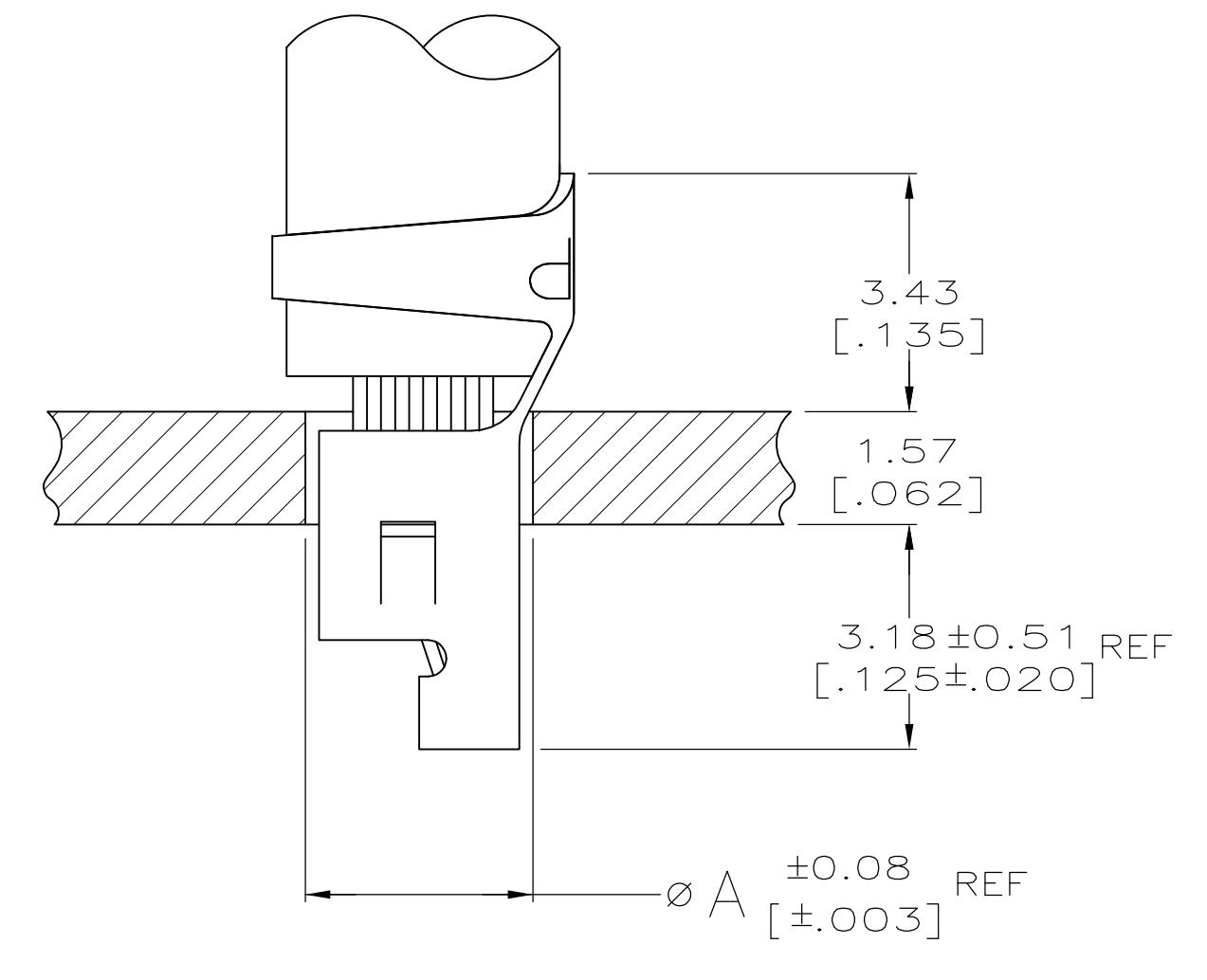
SECTION D-D



SECTION A-A



SECTION B-B



SECTION C-C

3.76 [.148]	10
3.18 [.125]	12
A	AWG

6	3-794037-1
5	-794037-1
FINISH	PART NO.

SUPERSEDED BY
3-794037-1

THIS DRAWING IS A CONTROLLED DOCUMENT.

DIMENSIONS: INCHES	TOLERANCES UNLESS OTHERWISE SPECIFIED:	DRAWN: S. CARPENTER 22AUG2003	CHK: J. ELLIS 22AUG2003	APPROVED: J. ELLIS 22AUG2003	NAME: J. ELLIS
0 PLC ±	1 PLC ±	2 PLC ± 0.13 [.005]	3 PLC ±	4 PLC ±	ANGLES ±
MATERIAL: 0.198 [.0078] PH BRZ	FINISH:	WEIGHT:	SIZE: A1	CAGE CODE: 00779	DRAWING NO: C=794037
CUSTOMER DRAWING		SCALE: 10:1	SHEET: 1 OF 1	REV: C3	RESTRICTED TO: -

METRIC

STE TE Connectivity

TERMINAL, AMP-IN